

# SPECIAL ORDER FORM

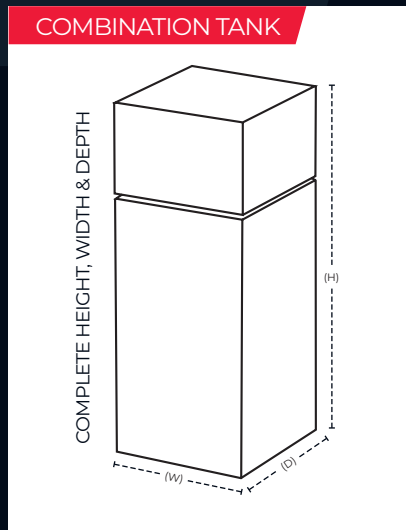
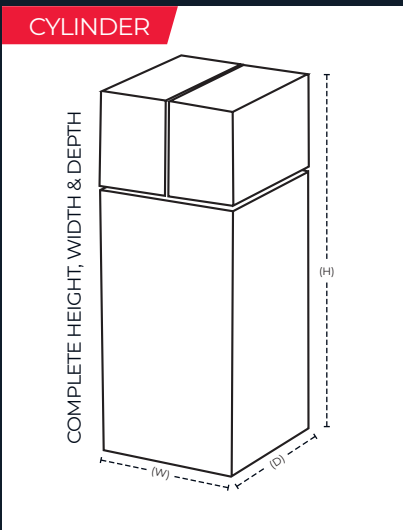
Installer Name:

Phone Number:

Order Number:

Merchant:

Size (H):                      (W):                      (D):



**TAPPING POSITIONS**

Please show the size and position of bosses and floor to centre measurements if critical. All standard connections must also be shown on the sketch below.

Don't forget shower take-offs, drain connections and secondary returns can be fitted.

15, 22, 28 compression with nut and olive or 1/2 up to 2" screwed connections.

Additional Details:

---



---



---



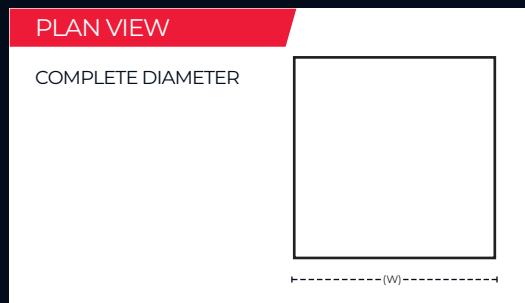
---



---

**PLAN VIEW**

COMPLETE DIAMETER



TYPE	
<input type="checkbox"/>	Direct
<input type="checkbox"/>	Indirect

Signature:

Date: