



BOILERMATE BP

MAINS PRESSURE HOT WATER
THERMAL STORE FOR USE
WITH GAS OR OIL BOILERS



INSTRUCTION MANUAL
DESIGN, INSTALLATION & SERVICING

ONE NAME. EVERY SOLUTION.

WWW.GLEDHILL.NET

ISSUE 5: SEPTEMBER 2017

Section	Page
DESIGN	
Introduction	3
Technical Data	4
System Details	10
INSTALLATION	
Site Requirements	15
Installation	16
Commissioning	19
SERVICING	
Annual Service	20
Changing Components	20
Short Parts List	21
Fault Finding	22
APPENDIX	
Appendix A	23
Appendix B	24
Appendix C	25
Notes	
Terms & Conditions	28
BENCHMARK	
Commissioning Checklist	30
Service Record	31



Benchmark places responsibilities on both manufacturers and installers. The purpose is to ensure that customers are provided with the correct equipment for their needs, that it is installed, commissioned and serviced in accordance with the manufacturers instructions by competent persons and that it meets the requirements of the appropriate Building Regulations. The Benchmark Checklist can be used to demonstrate compliance with Building Regulations and should be provided to the customer for future reference.

Installers are required to carry out installation, commissioning and servicing work in accordance with the Benchmark Code of Practice which is available from the Heating and Hot Water Industry Council who manage and promote the Scheme. Visit www.centralheating.co.uk for more information.

For further information on the HWA Charter Statement, please refer to the HWA website hotwater.org.uk.

Gas Safe operates a Self Certification Scheme for gas heating appliances.

These instructions should be read in conjunction with the Installation and Servicing Instructions issued by the manufacturers of the heat source e.g. the boiler used.

Any water distribution and central heating installation must comply with the relevant recommendations of the current version of the Regulations and British Standards listed below:-

Gas Safety Regulations
Building Regulations
I.E.E. Requirements for Electrical Installations
Water Regulations

British Standards

BS6798, BS5449, BS5546, BS5440:1, BS5440:2, CP331:3, BS6700, BS5258, BS7593 and BS7671.

A suitably competent person as stated in the Gas Safety Regulations must install the BoilerMate and carry out any subsequent maintenance/repairs. In fact, the front panel is secured by 2 screws and should only be removed by a competent trades person. The manufacturer's notes must not be taken as overriding statutory obligations.

The BoilerMate BP is suitable for use with either a sealed primary or an open vented central heating system.

The BoilerMate BP is not covered by section G3 of the current Building Regulations and is therefore not notifiable to Building Control.

The BoilerMate BP is not intended for use by persons (including children) with reduced physical, sensory or mental capabilities, or lack of experience or knowledge, unless they have been given supervision or instruction concerning use of the appliance by a person responsible for their safety.

Children should be supervised to ensure that they do not play with the appliance.

The information in this manual is provided to assist generally in the selection of equipment. The responsibility for the selection and specification of the equipment must however remain that of the customer and any Designers or Consultants concerned with the design and installation.

Please Note: We do not therefore accept any responsibility for matters of design, selection or specification or for the effectiveness of an installation containing one of our products unless we have been specifically requested to do so.

All goods are sold subject to our Conditions of Sale and Warranty Terms, which are set out at the rear of this manual.

In the interest of continuously improving the BoilerMate BP range, Gledhill Building Products Ltd reserve the right to modify the product without notice, and in these circumstances this document, which is accurate at the time of printing, should be disregarded. It will however be updated as soon as possible after the change has occurred.

The Environment

This product has been manufactured using many recyclable materials, including the approved HCFC/CFC free polyurethane foam insulation. At the end of its useful life, it should be disposed of at a Local Authority Recycling Centre, to maximise the products full environmental benefits.

Description

The BoilerMate BP is an indirectly heated hot water only thermal store. It is designed for use with a remote gas or oil boiler and is suitable for both open vented and sealed heating systems as long as they comply with the recommendations of contained in the rest of this manual. When it is used in a sealed heating system, the boiler should also be suitable for the sealed heating systems.

An important feature of this concept is that the hot water can be supplied directly from the mains at high flow rates without the need for temperature and pressure relief valves or expansion vessels. This is achieved by passing the mains water through the heat exchangers inside the thermal store. The outlet temperature of the domestic hot water is regulated by a thermostatic blending valve which is factory set at 55±3°C.

Because the BoilerMate BP does not require a safety discharge from a temperature and pressure (T&P) valve, the installations in buildings will be easier and will not suffer the problems associated with using the PVCu soil stacks to take discharge from the unvented cylinders.

The BoilerMate BP is supplied as an F&E cistern and ball valve to be fitted by the installer.

The Gledhill BoilerMate BP range is a WBS listed product and complies with the HWA Specification for integrated thermal storage products. The principle was developed in conjunction with British Gas. This product is manufactured under an ISO 9001:2008 Quality System audited by BSI.

Gledhill's first priority is to give a high quality service to our customers.

Quality is built into every Gledhill product and we hope you get satisfactory service from Gledhill.

If not please let us know.

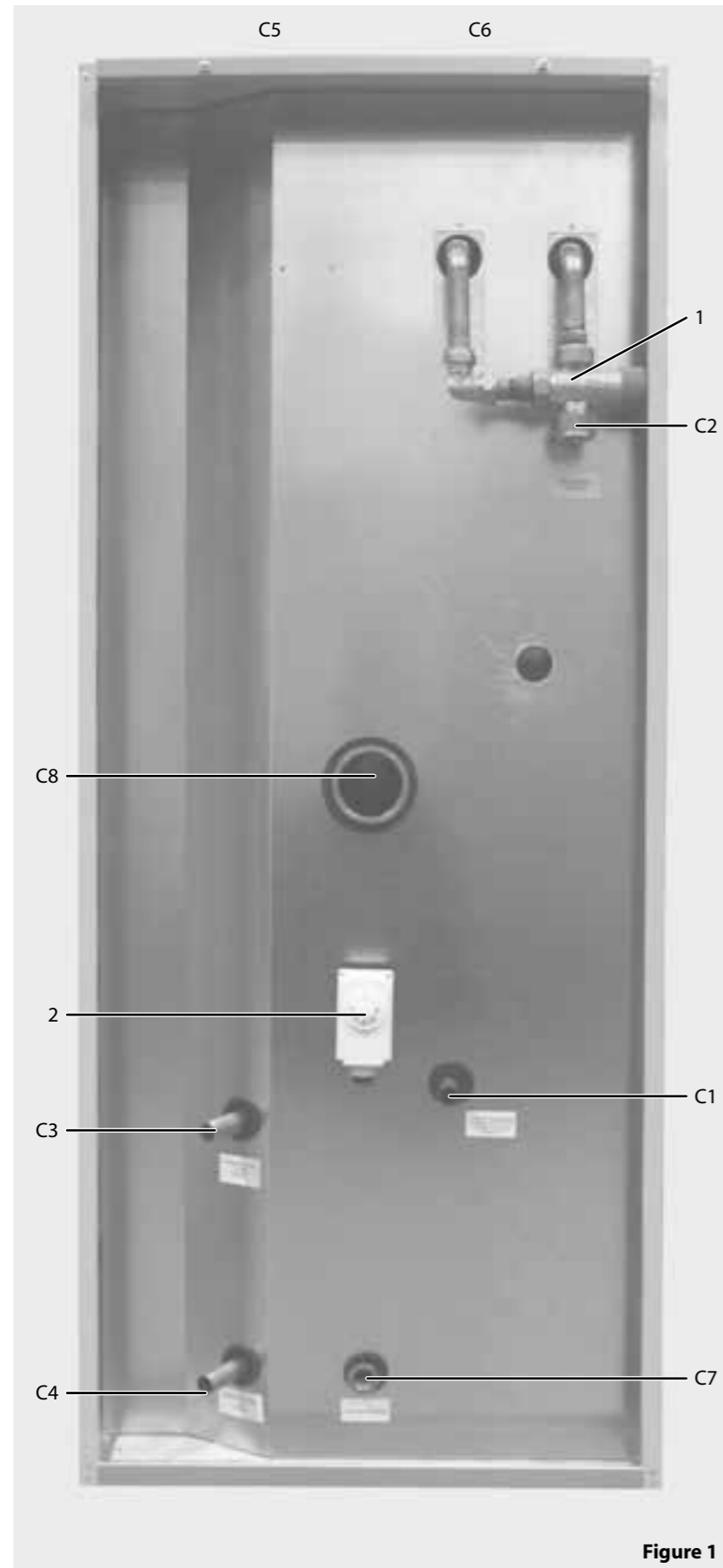


Figure 1

Standard Equipment

The standard configuration of the BoilerMateBP is shown opposite and it is supplied with the following factory fitted equipment: -

- 1 Thermostatic dhw blending valve – set at 55°C
- 2 Store thermostat – set at 75°C
- 3 Feed and expansion cistern complete with ball valve and float (not shown) – loose, to be piped by the installer

Factory Fitted Optional Equipment

- A1 Electronic scale prevention device

Supply Only Optional Equipment

Immersion heater

Pipe Connections

The position of the pipe connections is shown opposite and the connection sizes are listed in table 1.

- C1 Mains cold water inlet
- C2 Hot water outlet
- C3 Primary heat exchanger flow
- C4 Primary heat exchanger return
- C5 Open vent
- C6 Cold feed
- C7 Drain
- C8 Immersion heater boss

All the connections are also labelled on the appliance. It is essential that the pipework is connected to the correct connection.

Note: The safety open vent and cold feed/expansion must be connected to the F & E cistern using the pipework assembly provided. Do not alter or connect any pressure-relief device to the vent pipe of this water heater.

All factory made joints should be checked after installation in case they have been loosened during transit.

The fittings for the feed and expansion cistern should be installed in a position to suit the particular location and the cistern fitted on its supports/base.

The cold feed/expansion and safety open vent should be installed between the appliance and the feed and expansion cistern.

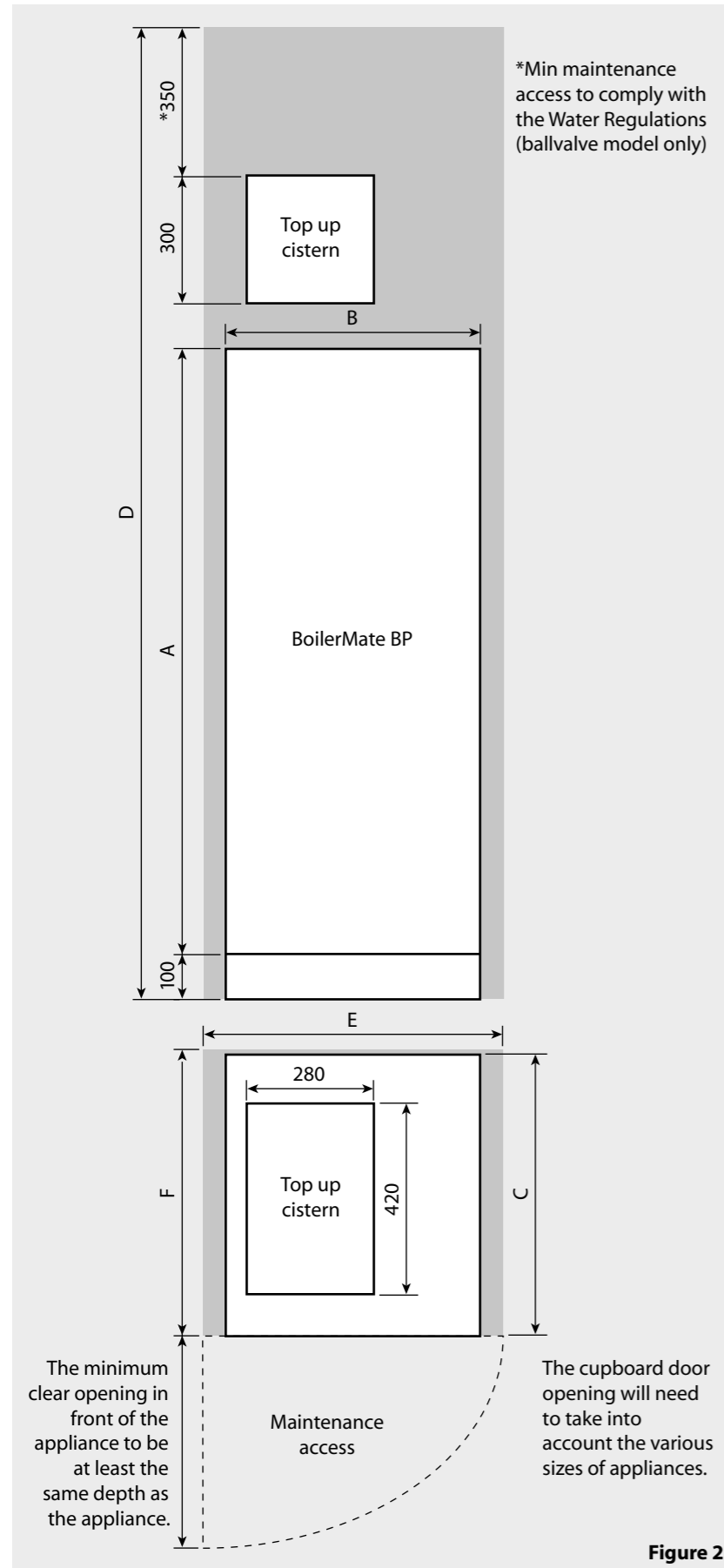
Table 1

Product stock code	BMBP125	BMBP145	BMBP185	BMBP215	BMBP225
Energy Efficiency Class	C	C	C	C	C
Heat loss (watts)	54	57	60	63	67
Heat loss (kWh/24hr)	1.30	1.37	1.44	1.51	1.61
Nominal volume (l)	125	130	153	168	190
Weight (empty) (kg)	53	55	61	67	75
Weight (full) (kg)	183	185	214	235	265
Primary/heating pipe connections	22mm	22mm	22mm	28mm	28mm
MCW & DHW pipe connections	22mm	22mm	22mm	22mm	22mm
Cold feed/expansion connection	15mm	15mm	15mm	15mm	22mm
Safety open vent connection	22mm	22mm	22mm	22mm	22mm
Drain connection	R ½"	R ½"	R ½"	R ½"	R ½"
Maximum Head Thermal Store	6 meters	6 meters	6 meters	6 meters	6 meters
Maximum pressure heating circuit	3 bar	3 bar	3 bar	3 bar	3 bar
Volume of primary heat exchanger	4.9 litres	4.9 litres	5.5 litres	5.5 litres	6.1 litres
Primary heat exchanger rating (kW)*	15	17	25	25	30
Hot water flow rate (l/m) up to	18	18	18	22	22
Typical Dwelling Types					
Bedrooms	1-3	2-3	2-4	3-5	4-6
Bathrooms	1	1	2	1 2	1 2

* Provisional figures only

Notes:-

1. The flow rates are based on a 35°C temperature rise and assume normal dynamic pressure of 2.0 bar at the appliance.
2. Unit is supplied on a 100mm high installation base.
3. The domestic hot water outlet temperature is automatically regulated to approximately 55°C.



Appliance Dimensions			
Model	Height (A)	Width (B)	Depth (C)
BMBP 125	1262	580	595
BMBP 145	1262	580	595
BMBP 185	1423	580	595
BMBP 215	1584	580	595
BMBP 225	1784	580	595

Note: The Appliance dimensions above do not allow for the 100mm high installation base.

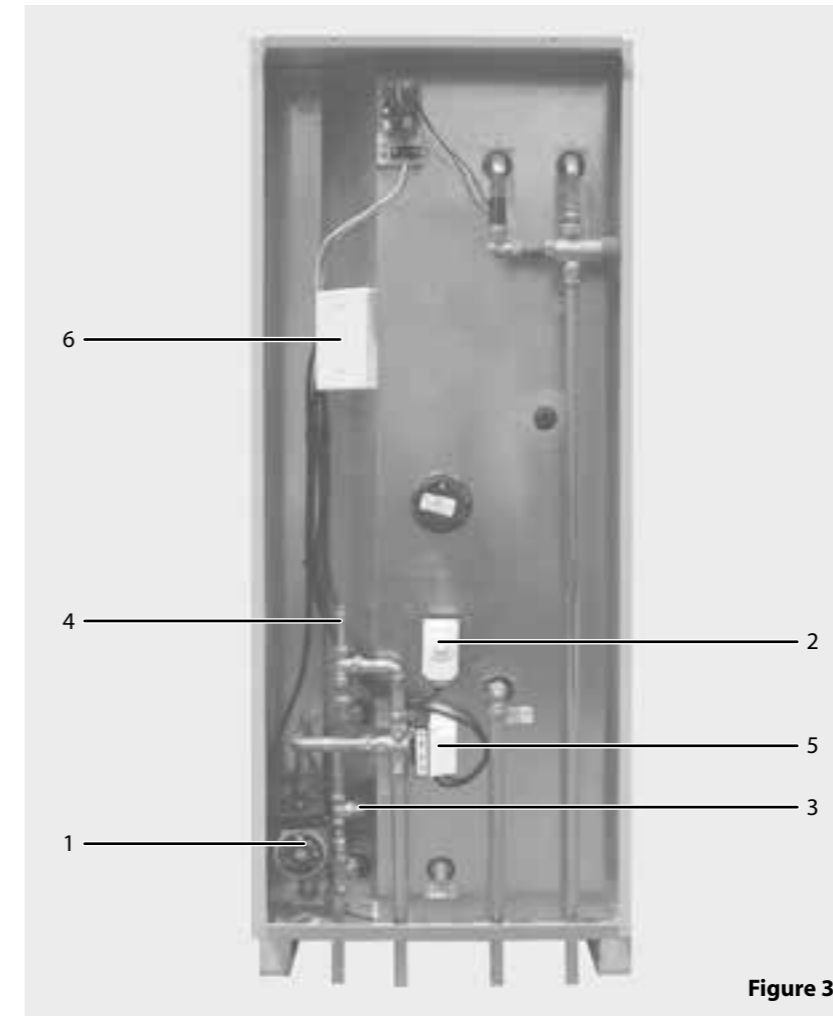
The following table of minimum cupboard dimensions only allow the minimum space required for the appliance (including the top up cistern). Any extra space required for shelving etc in the case of airing cupboards etc must be added.

Minimum Cupboard Dimensions			
Model	Height (D)	Width (E)	Depth (F)
BMBP 125	2012	680	600
BMBP 145	2012	680	600
BMBP 185	2173	680	600
BMBP 215	2334	680	600
BMBP 225	2534	680	600

Note: The above dimensions are based on the Appliance and the Top up cistern (fitted with a ballvalve) being in the same cupboard.

If the manual fill option is chosen, the heights shown above can be reduced by 125mm.

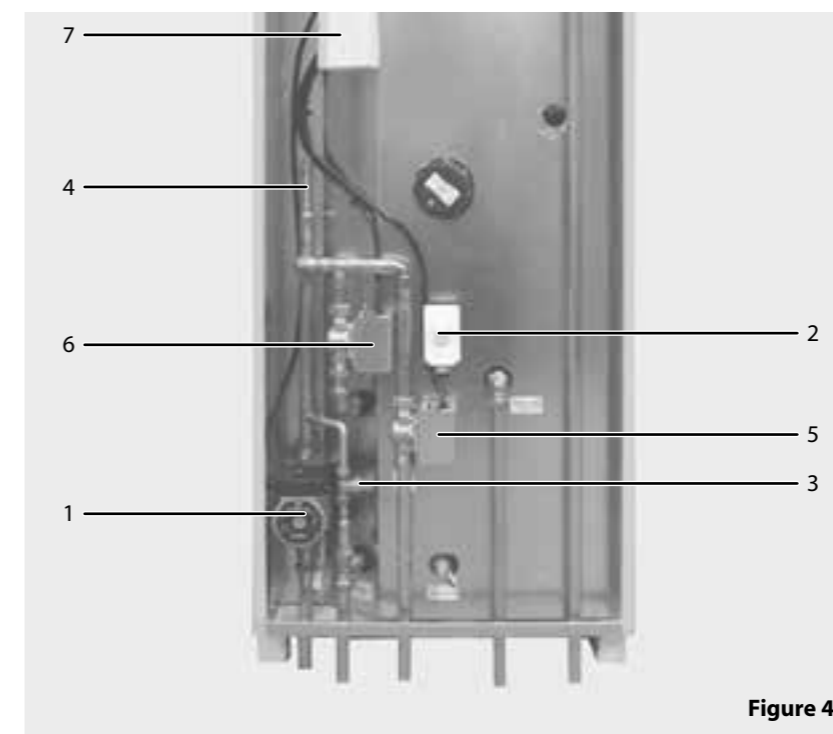
If pipework needs to rise vertically adjacent to the appliance the width/depth will need increasing to accommodate this.



Example installation of a 'Y' plan system

- 1 Pump
- 2 Store thermostat
- 3 Bypass valve
- 4 Manual air vent
- 5 3-port mid position valve
- 6 Wiring centre

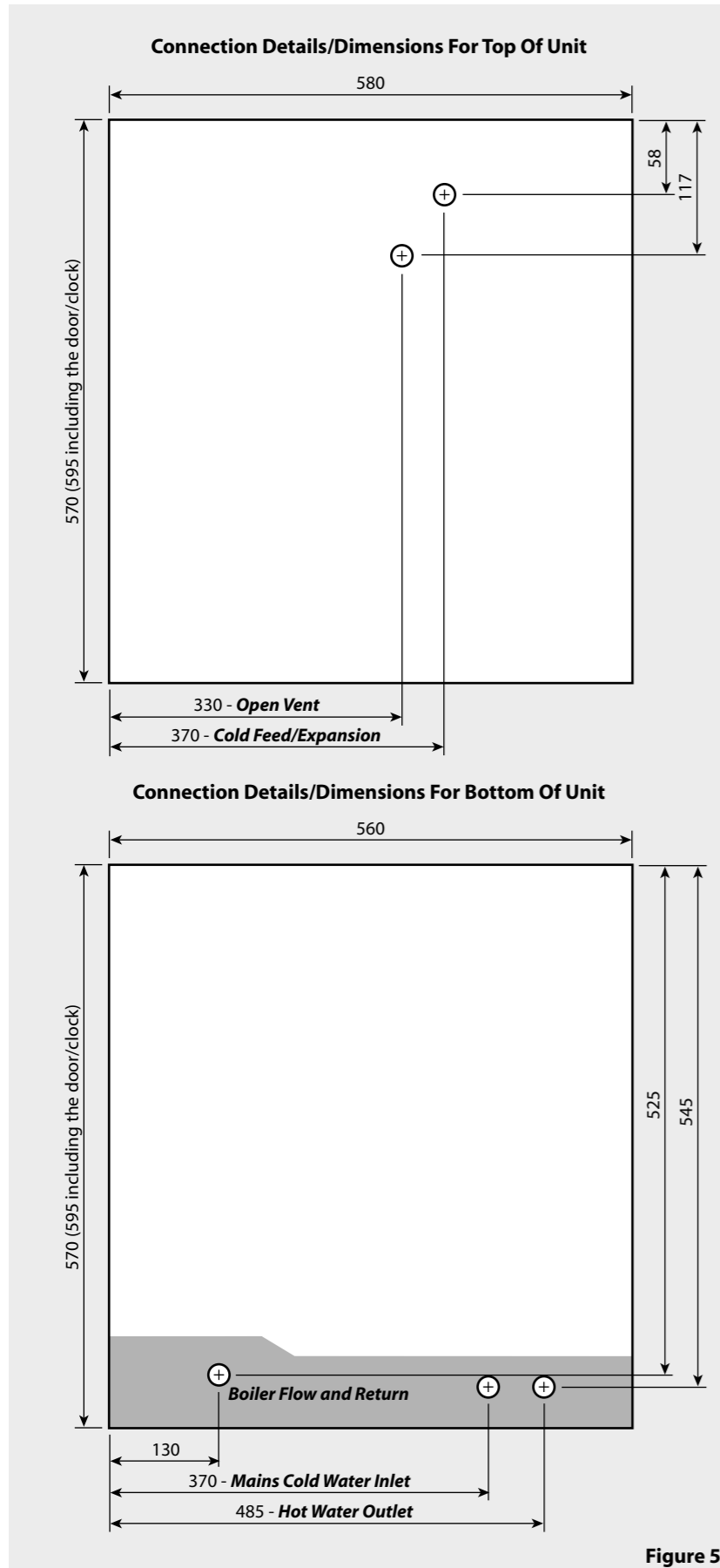
Note: All components to be supplied by the installer.



Example installation of an 'S' plan system

- 1 Pump
- 2 Store thermostat
- 3 Bypass valve
- 4 Manual air vent
- 5 Central heating zone valve
- 6 Hot water zone valve
- 7 Wiring centre

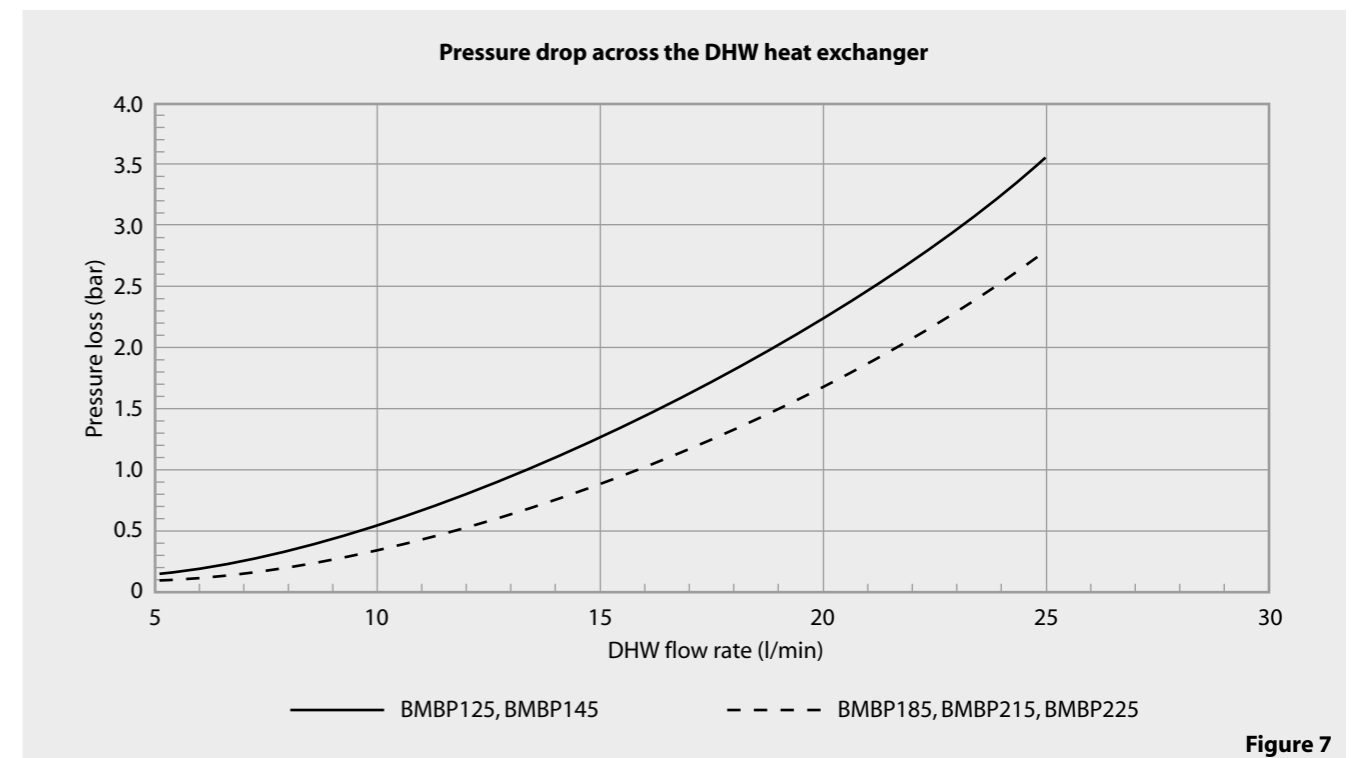
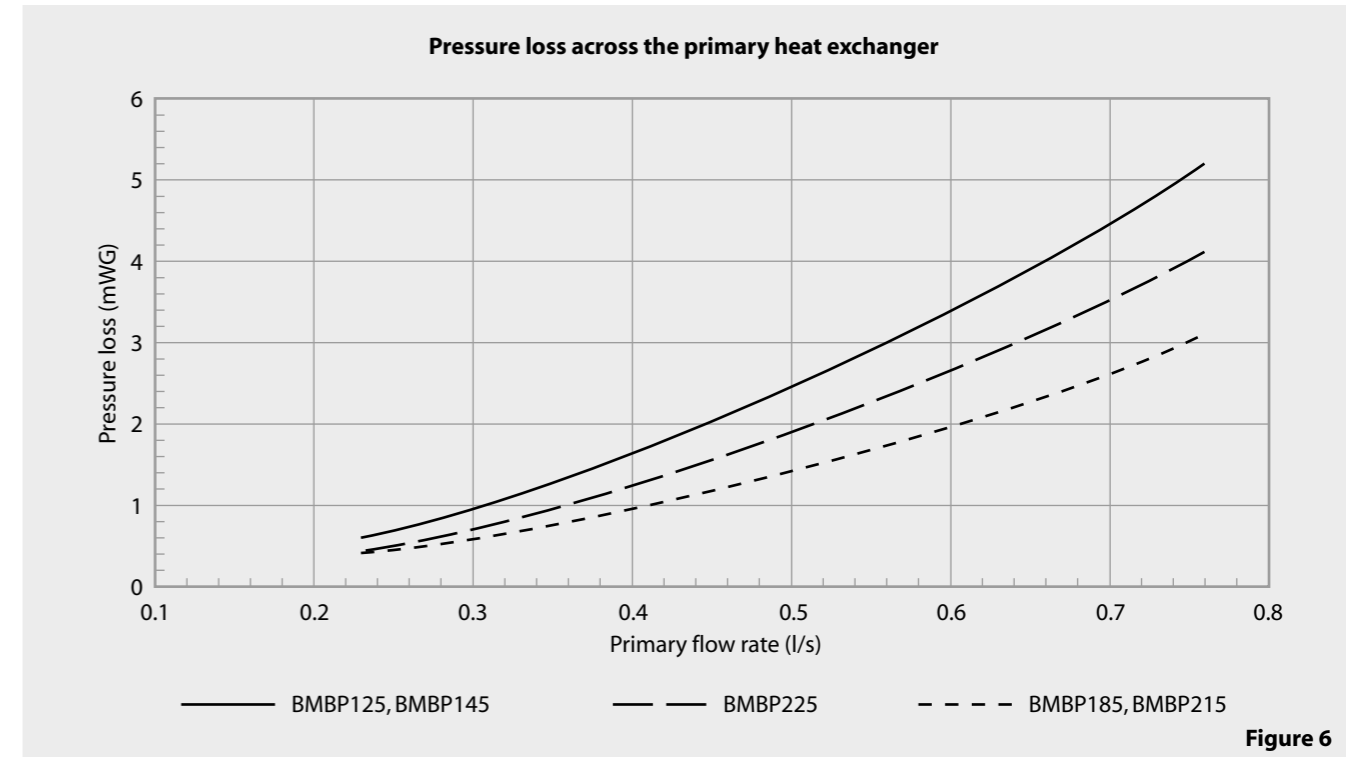
Note: All components to be supplied by the installer.



PLAN OF APPLIANCE CONNECTIONS

The BoilerMate BP units are supplied on an installation base to allow the pipe runs to connect to the appliance from any direction. It is easier if all pipes protrude vertically in the cut out area shown. Compression or push fit connections can be used. All pipe positions are approximate and subject to a tolerance of +/- 10mm in any direction. Space will also be required for a 15mm cold water supply and a 22mm warning / overflow pipe.

Note: All dimensions are shown in mm and are to the centre line of pipework.



Hot and Cold Water System

General

A schematic layout of the hot and cold water services in a typical small dwelling is shown below. BoilerMate BP will operate at mains pressures as low as 1 bar and as high as 5 bar although the recommended range is 2-3 bar. These pressures are the minimum dynamic pressures at the cold connection to the BoilerMate BP at the time of the maximum calculated simultaneous demand. Particular consideration should also be given to available pressures in the case of 3 storey properties. It is also important to check that all other equipment and components in the hot and cold water system are capable of accepting the mains pressure available to the property. If the mains pressure can rise above 5 bar or the maximum working pressure of any item of equipment or component to be fitted in the system a pressure limiting (reducing) valve set to 3 bar will be required.

No check valve or similar device should be fitted on the cold water supply branch to the BoilerMate BP.

The Building Regulations L1A, L1B and the requirements set out in the Domestic Heating Compliance Guide specify that "where the mains water hardness exceeds 200ppm provision should be made to treat the feed water to water heaters and the hot water circuit of combination boilers to reduce the rate of accumulation of lime scale".

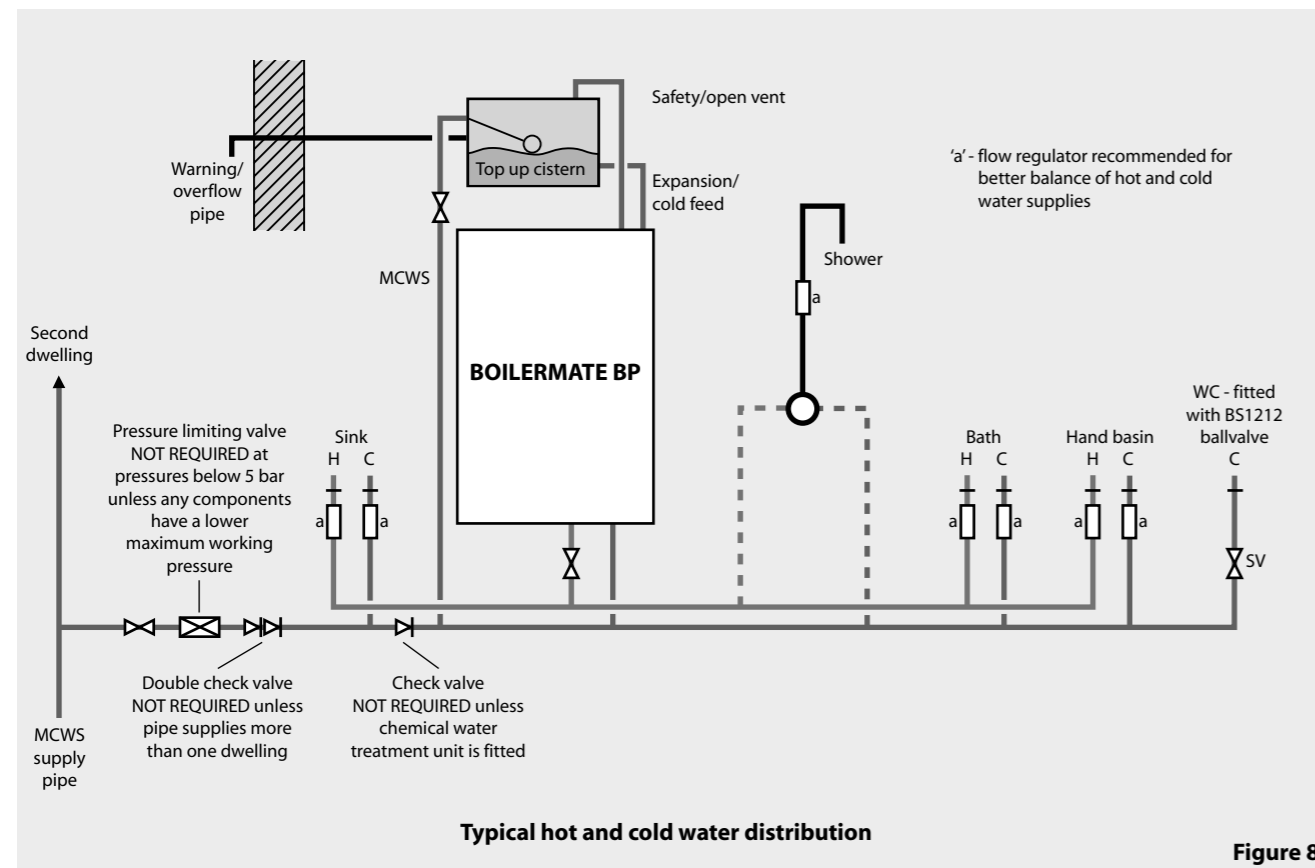
To comply with this requirement the hardness of the mains water should be checked by the installer and if necessary the optional factory fitted in-line scale inhibitor should be specified at the time of order for hardness levels between 200 and 300 ppm (mg/l).

Where the water is very hard ie 300ppm (mg/l) and above the optional polyphosphate type, inhibitor should be specified at the time of order. However, this will need to be fitted by the installer at a suitable point in the cold water supply to the appliance.

If scale should ever become a problem the BoilerMate BP heat exchanger can be descaled in situ. Contact the Technical Helpline for more details.

The hot water flow rate from the BoilerMate BP is directly related to the adequacy of the cold water supply to the dwelling. This must be capable of providing for those services, which could be required to be supplied simultaneously, and this maximum demand should be calculated using procedures defined in BS 6700.

If a water meter is fitted in the service pipe, it should have a nominal rating to match the maximum hot and cold water peak demands calculated in accordance with BS 6700. This could be up to 80ltr/min in some properties.



Hot and Cold Water System

Pipe Sizing / Materials

To achieve even distribution of the available supply of hot and cold water, it is important in any mains pressure system, that the piping in a dwelling should be sized in accordance with BS 6700. This is particularly important in a large property with more than one bathroom.

However, the following rule of thumb guide lines should be adequate for most smaller property types as long as water pressures are within the recommended range of 2-3 bar.

1. A 15mm copper or equivalent external service may be sufficient for a small 1 bathroom dwelling (depending upon the flow rate available), but the minimum recommended size for new dwellings is 22mm (25mm MDPE). For the BMBP 225 model we recommend a 28mm (32mm MDPE) supply pipe.
2. The internal cold feed from the main incoming stop tap to the BoilerMate should be run in 22mm pipe. The cold main and hot draw-off should also be run in 22mm as far as the branch to the bath tap.
3. The final branches to the hand basins and sinks should be in 10mm and to the baths and showers in 15mm. (1 metre minimum)
4. If an external hose tap is provided this should be branched in 15mm pipework from the cold pipework as near to the incoming mains as possible.
5. **We would recommend that best results for a balanced system are achieved by fitting appropriate flow regulators to each hot and cold outlet. This is particularly relevant where the water pressures are above the recommended water pressure range of 2-3 bar, or the dwelling is 3 storey. Details of suitable flow regulators are provided in Appendix.**

All the recommendations with regard to pipework systems in this manual are generally based on the use of BS/EN Standard copper pipework and fittings.

However, we are happy that plastic pipework systems can be used in place of copper internally as long as the chosen system is recommended for use on domestic hot and cold water systems by the manufacturer and is installed fully in accordance with their recommendations.

It is also essential that if an alternative pipework material/system is chosen the manufacturer confirms that the design criteria of the new system is at least equivalent to the use of BS/EN Standard copper pipework and fittings.

Taps/Shower Fittings

Aerated taps are recommended to prevent splashing.

Any type of shower mixing valve can be used as long as both the hot and cold supplies are mains fed. However, all mains pressure systems are subject to dynamic changes particularly when other hot and cold taps/showers are opened and closed, which will cause changes in the water temperature at mixed water outlets such as showers. For this reason and because these are now no more expensive than a manual shower we strongly recommend the use of thermostatic showers with this appliance. These must be used in 3 storey properties where the impact on pressure/temperature of opening another tap in the system is greater than normal.

The shower head provided must also be suitable for mains pressure supplies.

However, if it is proposed to use a 'whole body' or similar shower with a number of high flow/pressure outlets please discuss with the Gledhill technical department.

The hot water supply to a shower-mixing valve should be fed wherever practical directly from the BoilerMate BP or be the first draw-off point on the hot circuit. The

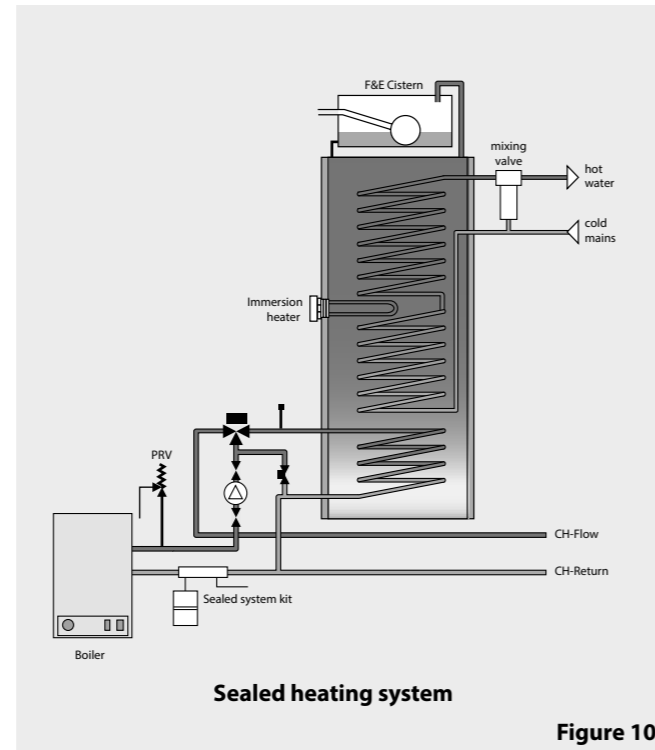
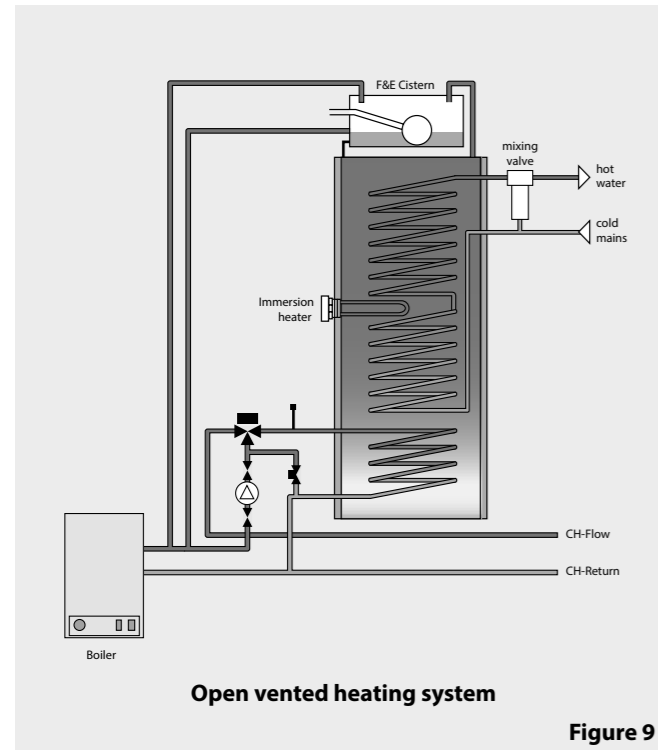
cold supply to a shower-mixing valve should wherever practical be fed directly from the rising mains via an independent branch. The shower must incorporate or be fitted with the necessary check valves to provide back-syphonage protection in accordance with the Water Regulations.

The supply of hot and cold mains water directly to a bidet is permitted provided that it is of the over-rim flushing type and that a type 'A' air gap is incorporated.

Hot and Cold Water System.

If the length of the hot water draw off pipework is excessive the delivery time may be unacceptable before hot water is available at the tap, you may wish to consider using either trace heating to the hot water pipework such as the Raychem HWAT system or secondary circulation. Please consult Gledhill Technical Department for further details.

It is important that the cold water pipework is adequately separated/protected from any heating/hot water pipework to ensure that the water remains cold and of drinking water quality.



Heating System

General – Sealed And Open Vented Heating Systems

The BoilerMate BP is suitable for both an open vented and a sealed heating systems shown schematically in figures 9 and 10 respectively. The system components can be installed inside the appliance case as shown in figures 3 and 4.

Although, the heating system can be either open vented or sealed, the thermal store must always be open vented as shown in figures 9 & 10 and also: -

- The combined cold feed and open vent pipe arrangement must not be used.
- No valve should be fitted in the safety open vent and which must be a minimum of 22mm copper pipe or equivalent.

The BoilerMate BP is designed to be installed with condensing or non condensing oil or gas boiler which is capable of delivering hot water at a minimum temperature of 80°C.

The boiler must be set to operate at nominal 82°C flow which usually corresponds to maximum boiler control thermostat setting.

It is recommended that an automatic bypass is fitted to compensate for pressure and hence the flow rate changes in the heating circuit e.g. when the thermostatic radiator valves close. The bypass valve must be set by the installer to suit the system i.e. to provide minimum flow required for the boiler when all TRVs are closed.

Heating System

Pipe Sizing And Materials – Sealed And Open Vented Heating Systems

All the recommendations with regard to heating systems in this manual are generally based on BS/EN Standard copper pipework and fittings. However we are happy that plastic pipework system can be used in place of copper as long as long as the: -

- The chosen system is recommended for use in domestic heating systems by the manufacturers and it is installed fully in accordance with their recommendations.
- The design criterion of the plastic system is at least equivalent to the use of BS/EN Standard copper pipework and fittings.
- We always recommend the barrier pipe for these systems.
- The F & E cistern supplied with the thermal store can be fitted remotely up to 6m above the base of the BoilerMateBP i.e. the maximum static pressure in the store must not exceed 0.6bar.

The primary pipework connecting the boiler, the thermal store and central heating system should be sized to achieve either 11°C rise across the boiler or the maximum temperature rise specified by the boiler manufacturer; whichever is smaller. But in any case should not be less than 22mm copper tube or equivalent.

The pressure loss through the primary heat exchanger is shown in figure 6 and this can be used for sizing the pump and the primary pipe work.

Boiler Size

The minimum total boiler power required is the sum of the power required for space heating which should be calculated in accordance with BS 5449 and the power required for producing hot water which can be read from table below.

Minimum Boiler Power Required for Producing DHW		
BoilerMate BP Model	Y or S plan control systems (without hot water priority)	W plan control system (with hot water priority)
BMBP 125	3	0
BMBP 145	3	0
BMBP 185	4	0
BMBP 215	4	0
BMBP 225	5	0

DESIGN

Heating System

Open Vented Heating Systems

The layout of a typical open vented 'Y Plan' heating system is shown in figure 8. The BoilerMate BP is equally suitable for 'S' and 'W' plan heating system layouts.

The flow pipe from the boiler should rise continuously up to the vent pipe to facilitate venting. The heating circuit is taken directly from the boiler and is piped in the conventional manner.

The F & E cistern supplied with the thermal store can be fitted remotely up to 6m above the base of the BoilerMate BP. If this cistern is used for the central heating as shown in figure 8, then the water level in the F&E cistern should be at least 250mm above the highest point on the system including the radiators and must be high enough to provide the minimum head required by the boiler being used.

Sealed Heating Systems

The layout of a typical sealed 'Y Plan' heating system is shown in figure 9. The BoilerMate BP is equally suitable for 'S' and 'W' plan heating system layouts. A boiler used in a sealed heating system must be suitable for this application i.e. must be fitted with an overheat cut-out thermostat.

It is recommended that the F&E cistern (for the store) is fitted at a high level in the same cupboard as the BoilerMate BP. However it can be fitted remotely up to 6m above the base of the BoilerMate BP.

The F&E cistern overflow/warning pipe should be installed in a material suitable for a heating system feed and expansion cistern in accordance with BS5449.

There shall be no permanent connection to the mains water supply for filling the system even through a non-return valve without the approval of the Local Water Authority. An approved filling loop is required with for filling the system, which should be disconnected after commissioning the system. This should be located adjacent to the boiler along with a suitable expansion vessel, pressure gauge, pressure relief valve.

The table below can be used for sizing the heating system expansion vessel. The water content of the primary heat exchanger is listed in table 1 and a figure of 4.5 l/kW of installed radiator capacity can be used for a preliminary assessment of the water content of the heating system.

The expansion vessel requirements shown in table below are based on a maximum

Expansion Vessel Requirements									
Safety valve setting (bar)	3.0								
Vessel charge pressure (bar)	0.5			1.0			1.5		
Initial system pressure (bar)	0.5	1.0	1.5	2.0	1.0	1.5	2.0	1.5	2.0
Total System Volume (l)	Expansion Vessel Volume (l)								
25	2.1	3.5	6.5	13.7	2.7	4.7	10.3	3.9	8.3
50	4.2	7.0	12.9	27.5	5.4	9.5	20.6	7.8	16.5
75	6.3	10.5	19.4	41.3	8.2	14.2	30.9	11.7	24.8
100	8.4	14.0	25.9	55.1	10.9	19.0	41.2	15.6	33.1
125	10.4	17.5	32.4	68.9	13.6	23.7	51.5	19.5	41.3
150	12.5	21.0	38.8	82.6	16.3	28.5	61.8	23.4	49.6

boiler flow temperature of 93°C. The expansion vessel must be suitable to accommodate the change in volume of the water in the system when heated from 10°C to 110°C as specified in BS 5449:1990 clause 16.2.

The minimum system pressure should not be less than the static head plus 0.5bar i.e. the height of the highest point in the system above the expansion vessel plus a margin of 0.5 bar.

INSTALLATION

The appliance is designed to be installed in an airing/cylinder cupboard and the relevant minimum dimensions are provided in the Technical Data section.

Because of the ease of installation we recommend that the cupboard construction is completed and painted before installation of the appliance. The cupboard door can be fitted after installation. No ventilation is normally required to the cupboard.

If the unit needs to be stored prior to installation it should be stored upright in a dry environment and on a level base/floor.

Installation and maintenance access is needed to the front of the appliance and above the F & E cistern. See Technical Data section for further details.

The minimum dimensions contained in the Technical Data section allow for the passage/connection of pipes under the appliance from any direction as long as the appliance is installed on the installation base provided. If the installation base is not used extra space may be needed to allow connection to the pipework and the whole of the base area should be continuously supported on a material which will not easily deteriorate if exposed to moisture.

The floor of the cupboard needs to be level and even and capable of supporting the weight of the appliance when full. Details of the weight when full is provided in the Technical Data section.

The appliance is designed to operate as quietly as practicable. However, some noise (from pumps etc) is inevitable in any heating system. This will be most noticeable in cupboards formed on bulkheads, or at the mid span of a suspended floor. In these cases the situation can be improved by placing the appliance on a suitable sound deadening material (i.e. carpet underlay or similar).

A suitable location will be needed for the separate feed and expansion cistern. This will often be at high level in the cupboard housing the BoilerMate BP. The dimensions and clearances are provided in the Technical Data section. The location will need to provide a suitable route for the cold feed and expansion pipe as well as the open safety vent pipe. The location will also need to provide a suitable route and discharge position for the warning/overflow pipe and the ballvalve supply from the mains cold water system if the automatic fill version appliance is being fitted.

Note: The standard appliance is supplied with a cistern but without a ballvalve and overflow connector.

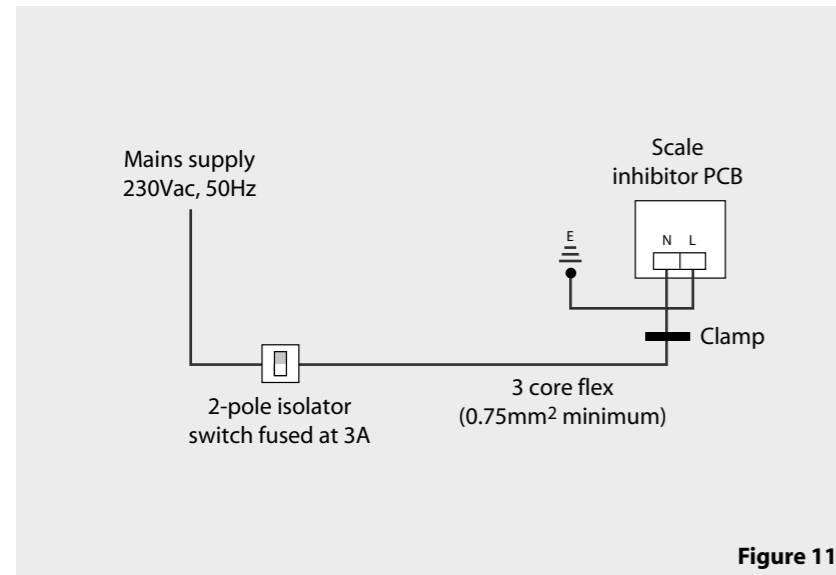


Figure 11

Electrical Wiring

- 1 An electrical supply must be available which is correctly earthed, polarized and in accordance with the latest edition of the IEE requirements for electrical Installations BS 7671.
- 2 The electrical mains supply needs to be 230V/50Hz.
- 3 A means for disconnection from the supply mains having a contact separation in all poles that provides full disconnection under over voltage category III conditions must be incorporated in the fixed wiring in accordance with the wiring rules. This shall be located within 1m of the appliance and only serve the appliance.
- 4 An optional 3kW 230Vac immersion heater complete with a thermostat and overheat cutout with manual reset can be fitted for heating domestic hot water in case the boiler fails. The immersion heater control thermostat must be set at 75°C. The wiring of the immersion heater must be in accordance with the relevant IEE wiring regulations as the circuit must be protected by a suitable fuse and a local double pole isolator.
- 5 If an optional scale inhibitor device is fitted then a 3 core flex from the local 2-pole isolator fused at 3A should be used to connect 230Vac 50 hz supply to the controller terminals (see figure 11).
- 6 The 230Vac 50hz supply to the system wiring centre must be in accordance with the relevant IEE Wiring Regulations on the circuit must be protected by a suitable 5A fuse and a double pole local isolating switch (see figures 12 and 13)

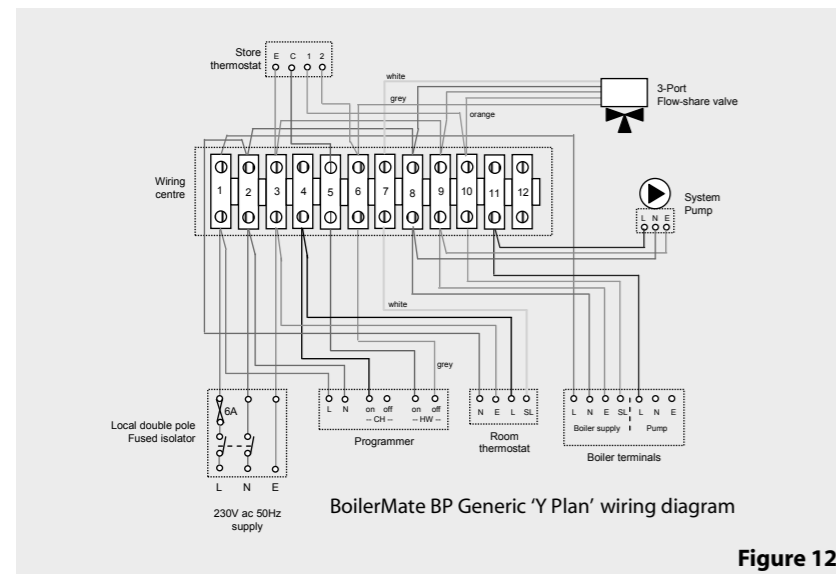


Figure 12

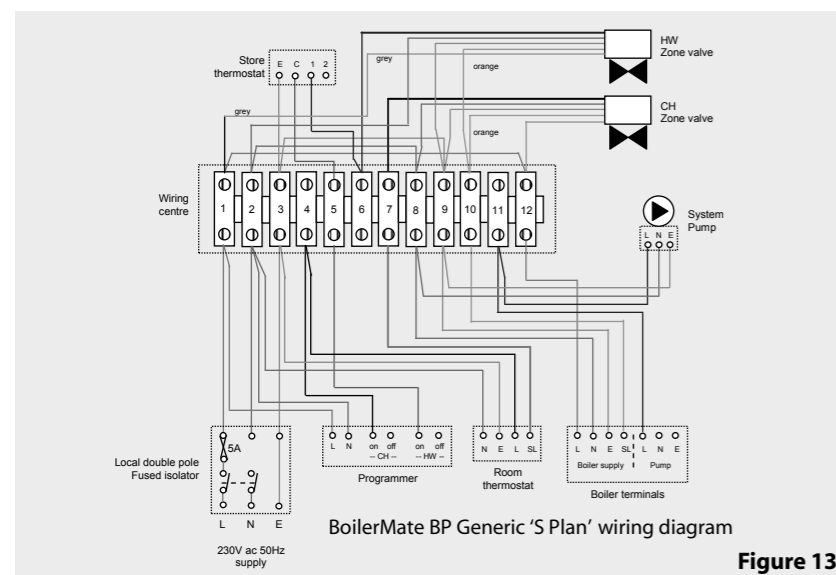
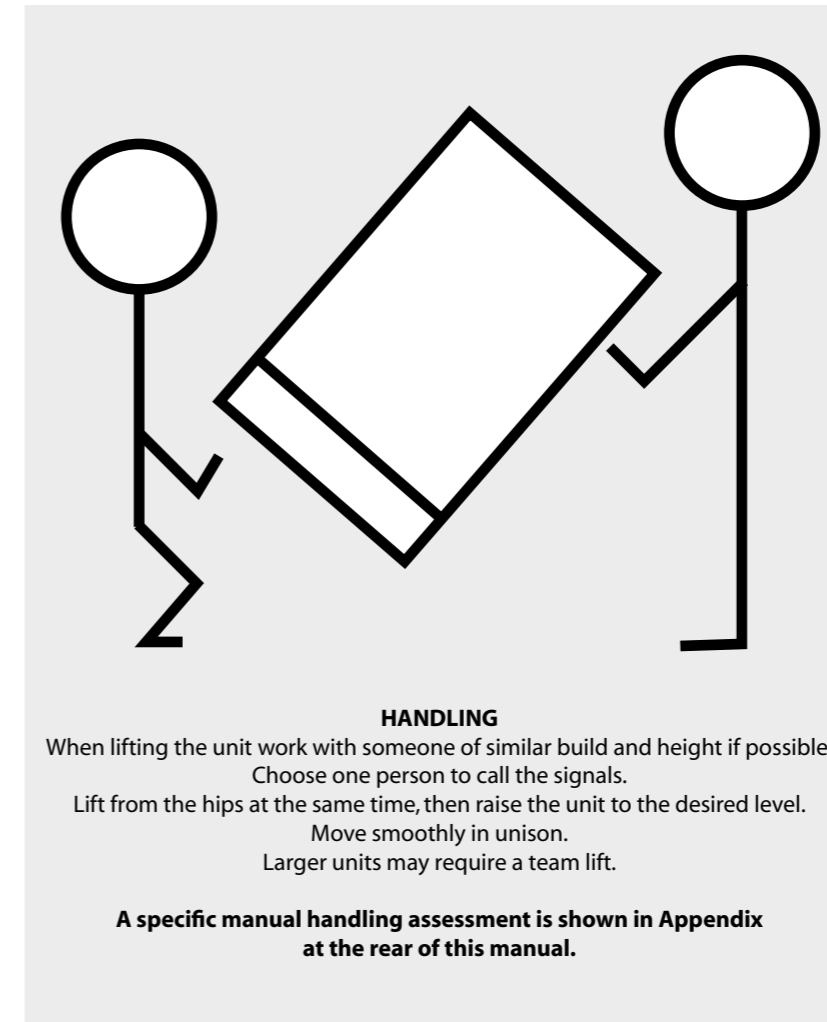


Figure 13



Preparation/placing the appliance in position.

Details of the recommended positions for termination of the first fix pipework are provided in the Technical Data section. The pipework can be located or its position checked using the template provided with each appliance. If these have been followed installation is very simple and much quicker than any other system.

The appliance is supplied shrink wrapped on a timber installation base with the F&E cistern on top of the unit. Carrying handles are also provided in the back of the casing.

The appliance should be handled carefully to avoid damage and the recommended method is shown opposite. Before installation the site requirements should be checked and confirmed as acceptable. The plastic cover and protective wrapping should be removed from the appliance and the installation base (provided) and placed in position.

The appliance can then be lifted into position in the cupboard on top of the base and the front panel removed by unscrewing the 2 screws and lifting the door up and out, ready for connection of the pipework and electrical supplies. The feed and expansion cistern support shall be installed ensuring that the base is fully supported and the working head of the appliance is not exceeded and the recommended access is provided for maintenance - see the Technical Data section. For further information on manual handling See Appendix.

Note: Although the above guidance is provided any manual handling/lifting operations will need to comply with the requirements of the Manual Handling Operations Regulations issued by the H.S.E.

The appliance can be moved using a sack truck on the rear face although care should be taken and the route should be even.

In apartment buildings containing a number of storeys we would recommend that the appliances are moved vertically in a mechanical lift.

If it is proposed to use a crane expert advice should be obtained regarding the need for slings, lifting beams etc.

INSTALLATION

It is normally envisaged that the feed and expansion cistern will be located in the same cupboard as the BoilerMate appliance itself to maintain a dry roof space. However, if it is necessary, the cistern can be installed in the roof space.

Note: When fitting the cistern at a higher level this must not be fitted more than 6 metres above the base of the BoilerMate BP appliance.

Obviously, if installed in the roof space the feed and expansion cistern and any pipework will need to be adequately insulated to protect against frost damage.

If the automatic fill version appliance is used the overflow/warning pipe shall have a continuous fall, be fitted to discharge clear of the building and be sited so that any Overflow can be easily observed. It shall also be installed in a size and material suitable for use with heating feed and expansion cisterns in accordance with BS 5449 and should not have any other connections to it.

INSTALLATION

Open the incoming stop valve and fill the domestic mains cold and hot water systems.

Check and adjust as necessary the expansion vessel air pressure to the figure specified (normally 1.5 bar).

Fill the whole of the primary heating system with potable water through the filling loop provided adjacent to the boiler to the pressure required (normally 1.5 bar).

During filling vent air as necessary from the high points of the system including the manual air vents provided on the appliance and the feed to the expansion vessel.

Fill the appliance i.e. BoilerMate BP through the feed and expansion cistern flush and refill.

Check the water level in the feed and expansion cistern and adjust the ballvalve if fitted.

Check the warning pipe (if fitted) is installed correctly, has a continuous fall and is not blocked i.e. discharges water freely.

Check the whole of the primary heating and domestic hot and cold distribution system, including the boiler and BoilerMate BP, for leaks.

It is essential that all systems function properly for optimum performance.

To achieve this, the primary system should be commissioned in accordance with good practice and generally in accordance with the requirements of BS 6798, BS 5449 and BS 7593.

Full details of the requirements are given in PAS 33:1999 under Section 10 Commissioning.

When using either cleansing or corrosion inhibitor chemical, the manufacturers instructions must be followed.

Cleansing the Primary System

It is very important to ensure that the Primary system is cleaned using a suitable cleansing agent such as Sentinel X300 or Fernox Superfloc to ensure that any flux residues/installation debris are removed.

The volumes/concentration should be calculated in accordance with the manufacturers instructions allowing the volume for the primary coil shown in the Table in the Technical Data section.

Primary Water System Treatment

Although the BoilerMate BP has no special water treatment requirements, the radiators and other parts of the circuit will benefit from the application of a scale and corrosion inhibitor such as Sentinel X100 or a Protector such as Fernox MB1.

The volumes/concentration should be calculated in accordance with the manufacturers instructions allowing the volume for the primary coil shown in the Table in the Technical Data section.

Powerflushing/cleaning Of The Heating System

If it is proposed to 'powerflush' the heating system we would recommend that the process used should always comply fully with the manufacturers instructions for the powerflushing equipment being used.

If in any doubt please consult our Technical Helpline.

NOTE: With sealed heating systems air is released from the water during the first few weeks of operation. This must be vented and the system repressurised.

Commissioning Domestic Hot Water System

The hot water flow temperature should settle at about 55°C. Close this tap and open the hot bath tap at maximum flow rate and record the flow rate and the hot water temperature in the 'Benchmark' commissioning checklist.

Hand over to User

(a) Explain how to operate the heating and hot water controls to the user. This should include setting 'on' and 'off' times and the room temperature on the room thermostat as well as the use of thermostatic radiator valves.

(b) Advise on boiler operation and maintenance advised in the boiler manual.

(c) Handover appliance and room thermostat user instructions and put the completed "Benchmark" checklist within this manual and the appliance instruction manual in the pocket on the inside of the appliance front panel.

(d) DON'T place any clothing or other combustible materials against or on top of this appliance.

At the time of commissioning, complete all relevant sections of the Benchmark Checklist located on the inside back pages of this document.

This must be completed during commissioning and left with the product to meet the Warranty conditions offered by Gledhill.

These Instructions should be placed along with the component manufacturers instructions in the pocket provided. The front panel should then be refitted.

SERVICING

Important Do's and Don'ts

DO check the incoming mains water pressure and flow rate are adequate. (The preferred range of mains pressure is 2-3bar).

DO check that all plumbing and electrical connections are in accordance with the labelling on the thermal store.

DO check and ensure the air pressure side of the expansion vessel is set at 1.0 bar (or as specified) - sealed heating system only.

DO ensure that if the BoilerMate BP is fitted on a sealed primary (i.e. closed) system, then the boiler is suitable (i.e. fitted with an overheat thermostat)

DO adjust the ballvalve so that the water level in the appliance F & E cistern when the system is cold is correct and does not overflow when the appliance is at maximum temperature

DO turn down the servicing valve for the ballvalve in the F & E cistern, once the system is finally filled, to the point where the warning/overflow pipe will cope with the discharge arising from a ballvalve failure.

DO check that the F & E cistern is not more than 6m above the base of the BoilerMate appliance.

DO make sure that there is adequate clearance above the appliance F & E cistern to service the ballvalve.

DO ensure that the boiler thermostat is set to **maximum** for all boilers.

DO insulate any exposed pipework in the BoilerMate BP cupboard.

DO plumb the overflow/warning pipe (if fitted) in a 20mm internal diameter pipe material which is suitable for use with a heating F & E cistern, in accordance with BS 5449 (such as copper) and ensure it has a continuous fall and discharges in a conspicuous external position.

DO check that the primary system pressure does not exceed 2 bar when the whole of the system is up to temperature.

DO check the pump settings. The boiler/heating pump should be set to give a temperature difference across the flow and return of not more than 11°C or as recommended by the manufacturers.

DO ensure that the bypass valve for the heating system is set correctly.

DON'T use a combined feed and vent on BoilerMate BP installations.

DON'T place any clothing or other combustible materials against or on top of this appliance.

No annual servicing of the BoilerMate BP is necessary.

Free of charge replacements for any faulty components are available from Gledhill during the in-warranty period (normally 12 months).

After this, spares can be obtained direct from Gledhill using the 'Speed Spares' service, or through any of the larger plumbers merchants/specialist heating spares suppliers.

Help and advice is also available from the Technical Helpline on 01253 474584. Please note this is a premium rate line and will be charged accordingly.

However, all components are readily accessible and can be changed quickly and easily by the installer using common plumbing practice.

SERVICING

	Description	Stock Code
1	Immersion heater - Incolloy 825 immersion heater - with dual (control & safety) thermostat.	XB078
2	Brawa mix thermostatic hot water blending valve	XC007
3	Mini expansion vessel	XB024
4	Scale inhibitor PCB	XB142
5	ITC control thermostat	XC010



SERVICING

Despite everyone's best efforts some problems could occur and lead to complaints from the householder.

Complaints can be grouped into the following three main categories:-

1. The system is noisy
2. Hot water service is unsatisfactory
3. Space heating is unsatisfactory

The following checks should be carried out by the installer before calling the manufacturer.

1. Causes of a 'Noisy' System

Noisy pump operation

Check the level of water in the F & E cistern - adjust and vent the pump/system if necessary.

Check heating circuit pressure - fill it to 1.5 bar and vent if necessary.

Check the pump speed setting of the boiler/heating pump - reduce if necessary but ensure that the temperature rise across the system is about 11°C.

Check the operation of the 3 port valve.

Check and adjust if necessary the heating system bypass valve.

Check that the radiators are correctly balanced.

Noisy boiler operation

Check the flow rate through the boiler at full gas rate by measuring the temperature rise across the boiler. If the temperature rise is greater than 11°C, then increase the pump speed.

Check system pressure, top up the expansion vessel - and vent if necessary.

Check and vent the system if necessary.

Noise when hot water tap is opened

If the plate heat exchanger pump is noisy when the hot water tap is opened, then check the level of water in the F & E cistern and vent the pump if necessary.

Water hammer - loose pipework and/or tap washers.

2. Causes of 'Unsatisfactory Hot Water Service'

Check that the BoilerMate is full of water i.e. level of water in the F & E cistern is correct when system is cold.

Check boiler thermostat - this should be set at maximum.

Check that the boiler flow temperature is adequate when it stops firing. Boilers should provide a flow temperature of $82 \pm 3^\circ\text{C}$ but temperatures as low as 75°C will allow the BoilerMate BP to provide a satisfactory performance.

Check that the store is charging to at least 75°C .

Check that the thermostatic blending valve is set to decline water between 55°C - 57°C .

If all the above checks are satisfactory then it is possible that the performance of the heat exchanger is impaired by scale. In this case the hot water flow rate will be noticeably less than the cold water flow rate. The heat exchanger can be descaled in situ. Contact the Technical Helpline for more details.

3. Causes of 'Unsatisfactory Space Heating'

Check the boiler thermostat - this should be set at maximum.

Check that the boiler flow temperature before it is turned off by its own internal thermostat or the store sensor is adequate - it should not be less than 77°C .

Check the operation and the settings of the heating programmer and the room thermostat.

Check that the boiler/heating system pump is working and the 3 port valve is allowing water to the radiator circuit.

If some rooms are not being heated properly, then balance the system/check the operation of the thermostatic radiator valves (if fitted).

Overflow from Feed and Expansion Cistern

Check that the controlled level of water in the cistern is no higher than necessary. Adjust if required.

Powerflushing/cleaning Of The Heating System

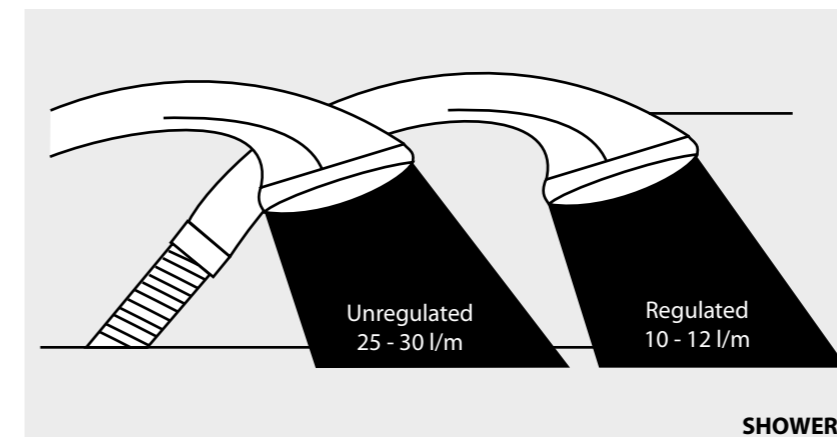
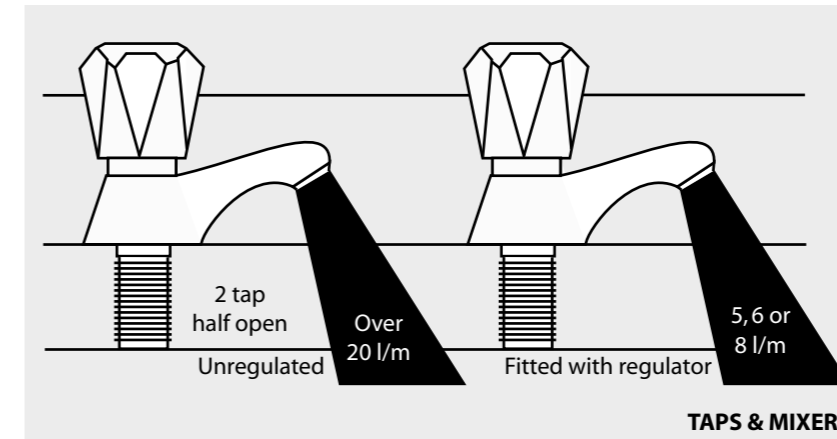
When carrying out the work always comply fully with the manufacturers instructions for the powerflushing equipment being used.

If in any doubt please consult our Technical Helpline.

When requesting a visit from the manufacturer the installer must have the completed 'Benchmark' commissioning/ service record sheet to hand to enable help to be provided.

Water Savings

Water Related Costs Can Be Reduced By Good Plumbing Practice



Vast quantities of water are needlessly run off to waste due to Taps, Mixers and Showers discharging flow rates far in excess of the rates required for them to perform their duties.

The contrasting flow rates shown on this leaflet clearly illustrate the savings that can be made whilst still providing a good performance.

British made Aquaflow Regulators provide constant flow rates by automatically compensating for supply pressure changes between 1 bar & 10 bars.

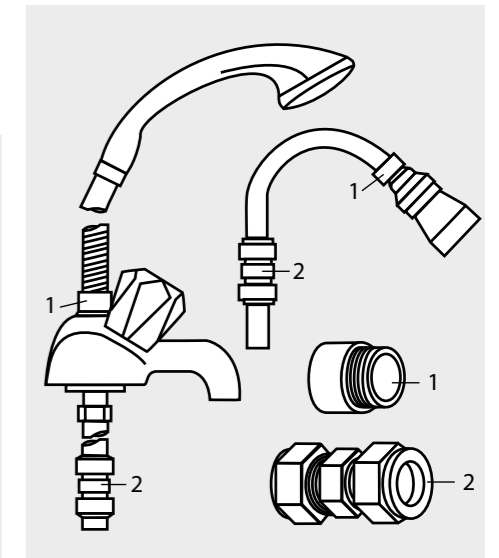
To facilitate installation into the wide range of plumbing equipment which is encountered in the U.K, Four Fixing Options are available:-

Options For Showers

1. MXF "DW" Range - For fitting behind Fixed Shower Heads or onto Flexible Hoses for Handshowers (preferably onto the inlet end when lightweight hoses are used).
2. Compression Fitting Range. "In Line" regulators as in Option 4 for Taps & Mixers.

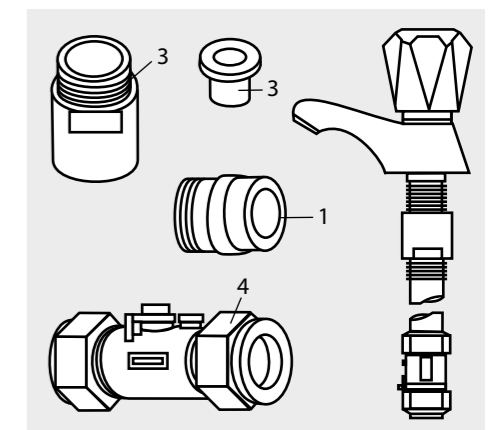
Information by courtesy of
AQUAFLOW REGULATORS LTD
 Haywood House, 40 New Road, Stourbridge, West Midlands DY8 1PA
 TELEPHONE (01384) 442611 FAX: (01384) 442612

APPENDIX



4 Fixing Options For Taps & Mixers

1. MK Range - Combined Regulators & Aerator for screwing onto Taps & Mixers with internal or external threads on their noses. Anti Vandal models also available.
2. MR05-T Range - Internal Regulators. Push-fit into Tap or Mixer seats. Produced in three sizes - 12.5mm (BS1010), 12mm & 10mm, Flangeless models also available for Taps with Low Lift washers.
3. MXF Standard Range - Screw on tail models for Taps & Mixers. Fix onto the tails before fitting the tap connectors. Available in 3/8", 1/2", 3/4" and 1" BSP.
4. Compression Fitting Range - "In Line" regulators housed in 15mm & 22mm CXC Couplers & Isolating Valves. "UKWFB" listed by the Water Research Centre. Isolation valves available for slotted screwdriver operation or with coloured plastic handles. Now available also in plastic bodied push-fit couplers & valves.





benchmark GUIDANCE NOTES

2 Inhibitor (Corrosion & scale protection of primary heating circuit)

On filling the heating system and before the boiler is fired up, it is important to ensure the system water is treated with a suitable corrosion inhibitor, in accordance with the boiler manufacturer's instructions.

Since the concentration of inhibitor present in a system can become diluted, for a number of different reasons, the system should be checked annually and re-treated as required, or after every full or partial drain-down. A water treatment manufacturer's test kit may be used to check the correct concentration of inhibitor in the system.

Where recommended by a boiler manufacturer, a 'physical corrosion protection device' may be fitted in the primary pipework in accordance with the boiler manufacturer's instructions.

The Benchmark checklist should be completed indicating the date and details of any of the above products added and a permanent label should be fixed to the system in a prominent location.

3 Scale protection (Domestic hot water service)

Where a combi boiler and/or a hot water storage vessel is installed in areas where the mains water can exceed 200ppm Total Hardness (as defined by BS 7593: 1993 Table 2) a scale reduction device should be installed, in accordance with the boiler manufacturer's instructions.

The levels of water hardness may be measured using a water hardness test kit.

BUILDING REGULATIONS

Completion of the Benchmark checklist requires that the 'competent person' undertaking the installation and commissioning provide information relating to Cleaning, Inhibitor and Scale Protection. This will demonstrate that the work complies with the requirements of the appropriate Building Regulations.

This Guidance Note is produced on behalf of its members by the Central Heating Information Council. For a full list of members visit www.centralheating.co.uk and for further advice on water treatment contact the following members:

Culligan Sentinel Fernox Salamander Engineering Scalemaster

Heating & Hotwater Information Council, 36 Holly Walk, Leamington Spa, Warwickshire CV32 4LY Tel: 0845 600 2200 Fax: 01926 423284 www.centralheating.co.uk

Heating & Hotwater Information Council

Benchmark is managed by The Heating & Hotwater Information Council

MANUAL HANDLING OF APPLIANCE PRODUCTS

Description

Manual handling means any transporting or supporting of a load (including lifting, putting down, pushing, pulling, carrying or moving) by hand or bodily force.

Scope

This assessment will cover the largest unit within each product range manufactured by Gledhill.

For specific weights and dimensions please refer to technical data section.

Main Hazards

Vision may not be clear due to the size of the products. Adopting an incorrect method of lifting may cause injury, attempting to lift these products will require help from others. (Team lifts)

Control Measures

Manual lifting procedure

The lift, key factors in safe lifting are:

- a. **Balance**
 - b. **Position of back**
 - c. **Positioning of the arms and body**
 - d. **The hold**
 - e. **Taking the lead for team lifts**
- a. **Balance** - Since balance depends essentially upon the position of the feet, they should be apart about hip breadth with one foot advanced giving full balance sideways and forward without tension. In taking up this position, lifting is done by bending at the knees instead of the hips and the muscles that are brought into use are those of the thigh and not the back.
 - b. **Position of back** - Straight - not necessary vertical. The spine must be kept rigid, this coupled with a bent knee position, allows the centre line of gravity of the body to be over the weight so reducing strain.
 - c. **Positioning of arms and body** - The further arms are away from the side, the greater the strain on the shoulders, chest and back. Keep elbows close to the body arms should be straight.
 - d. **The hold** - Before lifting ensure you have a good hold. Two handles are provided on Appliance products at the top rear side, these allow one or two persons to have a purposely-designed hold at the top of the appliance to ensure easy lifting at the top of the product.

- e. **Taking the lead for team lifts**- As more than one person is required for these products ensure that one person is taking the lead. **This may be you** so ensure that each person that is helping is made aware of the weight and of the items listed within this assessment. Make sure you and any others helping know the route you intend to take that it is clear of any obstructions. Never jerk the load as this will add a little extra force and can cause severe strain to the arms, back and shoulders. If there are steps involved decide on where you will stop and take a rest period. Move smoothly and in unison taking care to look and listen to others helping with the lift. Where possible use a sack truck to move the product over long flat distances, only lift the products when necessary. If in doubt stop and get more help.

Individual capability

Individual capability plays an important part in handling these products. Persons above average build and strength will find it easier and should be in good health. Persons below average build and strength may require more rest periods during the handling process.

Pregnant women should not carry out this operation.

Persons who are not in good health should seek medical advice prior to commencing any lifting or manual handling operation.

Residual risk

Following the guidelines given above will reduce any risk to injury.

All persons carrying out this operation must be fully trained and copies of the specific risk assessment made available for inspection and use in their training process.

Further guidance on Manual Handling can be obtained from the Health and Safety Executive. Manual Handling Operations Regulations 1992.

Gledhill (Building Products) Ltd

AMD. SEPTEMBER 2017
CONDITIONS OF SALE & GUARANTEE TERMS

1. Gledhill (Building Products) Ltd (“We” or “Gledhills”) only do business upon the Conditions which appear below and no other. Unless we so agree in writing these Conditions shall apply in full to any supply of goods by us to the exclusion of any Conditions or terms sought to be imposed by any purchaser. These Conditions of Sale and Warranty Terms override those which are contained on the Invoice Forms and all Sales are now subject to these Conditions of Sale and Warranty terms only.

2. PRICE

Once an order or call off has been accepted the price will be held for three months **but if delivery is extended beyond that period at the customer’s request, then we reserve the right to amend the price when necessary.** The company reviews its pricing annually to adjust for changes in our cost base. We reserve the right to alter prices at any time for severe movements in raw materials (mainly copper and steel). If there is to be a change we will give customers at least four weeks notice but anything delivered after that date will be at the revised price. An order may not be cancelled or varied after acceptance without the written consent of the company. Such cancellation or variation shall be subject to such reasonable charges as may be appropriate.

3. SPECIFICATION

The goods are supplied in accordance with the Specifications (if any) submitted to the Purchaser and any additions and alterations shall be the subject of an extra charge. Any goods not so specified shall be in accordance with our printed literature or the literature of any of our component suppliers (subject to any modifications made since publication). If we adopt any changes in construction or design of the goods, or in the specification printed in our literature, the Purchaser shall accept the goods so changed in fulfilment of the order.

4. PAYMENT

The buyer shall make payment in full within thirty days from the end of the month in which the invoice is dated. If we receive payment in full on or before the due date we will allow an appropriate settlement discount except where we have quoted a special net price. If payment is not received in full on or before the due date we shall be entitled in addition to the invoice price to:

- payment of a sum equal to any increase in the copper price supplement applicable to the particular goods sold between the date of receipt of order and the date of receipt of payment in full; and
- interest on any part of the invoice price unpaid after the due date at the rate of 3% per annum over the base rate for the time being of HSBC Bank plc.

5. TIME

We give estimates of delivery dates in good faith and time of delivery is not nor shall be made of the essence of any contract nor shall we be liable for any loss or damage occasioned by delay in delivery.

6. DELIVERY

We deliver free normally by our own vehicles within 25 miles of any of our manufacturing depots. Delivery to any place more than 25 miles from one of our manufacturing depots may be subject to our quoted delivery charges. We reserve the right to make delivery of goods contained in one order by more than one consignment and at different times. Where a period is agreed for delivery and such period is not extended by our Agreement, the Purchaser shall take delivery within that period. If the Purchaser fails to take delivery, we shall be entitled at the Purchaser’s risk and expense to store the goods at the Purchaser’s premises or elsewhere and to demand payment as if they had been despatched. Off loading at point of delivery shall be the responsibility of and be undertaken by the Purchaser.

7. SHORTAGES OR DAMAGE

Goods must be inspected before signature of delivery note and any damage, shortage or discrepancy noted on the delivery note and the goods returned on the same vehicle. The buyer must also give us immediate written notice of the damage, shortage or discrepancy so that we may prompt investigation.

8. RETURN OF GOODS

Goods may not be returned to the Company except by prior written permission of an authorised officer of the Company and such return shall be subject to payment by the Purchaser of handling and re-stocking charges, transport and all other costs incurred by the Company.

9. COMPANY LIABILITY AND GUARANTEE

9.1. Subject to the terms of these Conditions of Sale and Guarantee Terms Gledhills provide Guarantees in respect of specific products as set out in this clause.

9.2. Each Guarantee is strictly conditional upon the following:-

9.2.1. Complaints must be given to us immediately, before any action is taken, as responsibility cannot be accepted if repairs or renewals are attempted on site without our written approval.

9.2.2. The unit has been installed in accordance with our installation and service instructions and all relevant codes of practice and regulations in force at the time of installation.

9.2.3. All necessary inlet controls and safety valves have been fitted correctly.

9.2.4. The unit has only been used for the storage of potable water supplied from the public mains. The water quality shall be in accordance with European Council Directive 98/83 EC, or revised version at the date of installation, and is not fed with water from a private supply. Particular:
Chloride content: Max. 200 mg/l
Sulphate content: Max. 200 mg/l
Combination chloride/sulphate: Max. 300 mg/l (in total)

9.2.5 Where appropriate the unit has been regularly maintained as detailed in the installation and service instructions

9.2.6. Defects caused by corrosion or scale deposits are not covered by any Guarantee.

9.2.7. Where we agree to rectify any defect we reserve the right to undertake the work on our own premises.

9.2.8. We will not accept any labour charges associated with replacing the unit or parts for any of the following products listed.

9.2.9. If the newly fitted water heater is not in regular use then it must be flushed through with fresh water for at least 15 minutes. Open at least one hot water tap once per week, during a period of at least 4 weeks.

9.3. Guarantees are provided in respect of specified goods supplied by Gledhills as follows:-

(a) Domestic and Commercial Open Vented Cylinders and Tanks.

The storage vessel is guaranteed for ten years and if it proves to be defective either in materials or workmanship, we reserve the right to either repair or supply replacement at our option with the closest substitute in the case of any obsolete product to any address in England, Wales and Scotland (excluding all Scottish Islands).

(b) Domestic Mains Fed Products [Primary Stores]

The storage vessel is guaranteed for five years and if it or any integral pipework as part of the storage vessel assembly proves to be defective either in materials or workmanship, we reserve the right to either repair or supply replacement at our option with the closest substitute in the case of any obsolete product to any address in England, Wales and Scotland (excluding all Scottish Islands).

(c) Unvented Cylinders

Gledhill guarantee the components including controls, valves and electrical parts for two years from the date of purchase. IT SHOULD BE NOTED THAT THE FACTORY FITTED TEMPERATURE AND PRESSURE RELIEF VALVE MUST NOT BE REMOVED OR ALTERED IN ANY WAY OR THE GUARANTEE WILL NOT BE VALID. GLEDHILL WILL

NOT BE RESPONSIBLE FOR ANY CONSEQUENTIAL LOSS OR DAMAGE HOWEVER IT IS CAUSED.

The guarantee for the stainless steel vessel is for twenty five years against material defect or manufacturing faults if the original unit is returned to us **AND PROVIDED THAT:**

- It has not been modified, other than by Gledhill.
- It has not been subjected to wrong or improper use or left uncared for.
- It has only been used for the storage of potable water supplied from the public mains, max 200mg/litre chloride.
- It has not been subjected to frost damage.
- The benchmark service record is completed after each annual service.
- The unit has been serviced annually.
- Any disinfection has been carried out strictly in accordance with BS6700.

If the stainless steel vessel proves to be defective either in materials or workmanship we reserve the right to either repair or supply replacement at our option with the closest substitute in the case of any obsolete product to any address in England, Wales and Scotland (excluding all Scottish Islands).

ACTION IN THE EVENT OF FAILURE

We will require the return of a cylinder which develops a leak for inspection. If our examination confirms a failure then an appropriate level of credit against the cost of the original cylinder will be issued in line with the terms of our warranty.

Please note:

- Installation must have been carried out by a licensed specialized company (heating contractor or plumber) following the version of installation instructions in force.
- Gledhill or its representative was given the opportunity to check complaints on site immediately after any defect occurred.
- Confirmation exists that the system was commissioned properly and that the system was checked and maintenance was performed annually by a specialised company licensed for this purpose.

(d) Components of our products other than Storage Vessels and Integral Pipework.

We will either extend to the purchaser the same terms of warranty as we are given by the manufacturer of the component or if the manufacturer does not give any warranty, replace free of charge any component which becomes defective within two years after the date of the delivery by us and is returned to us at the purchaser’s expense but we shall not meet the cost of removal or shipping or return of the component or any other cost charges or damages incurred by the purchaser.

9.4.

9.4.1. In respect of goods supplied by us and in respect of any installation work carried out by or on our behalf, our entire liability and the purchaser’s sole remedies (subject to the Guarantees) shall be as follows:-

- We accept liability for death or personal injury to the extent that it results from our negligence or that of our employees
- Subject to the other provisions of this clause 9 we accept liability for direct physical damage to tangible property to the extent that such damage is caused by our negligence or that of our employees, agents or subcontractors.
- Our total liability to the purchaser over and above any liability to replace under the Guarantees (whether in contract or in tort including negligence) in respect of any one cause of loss or damage claimed to result from any breach of our obligations hereunder, shall be limited to actual money damages which shall not exceed £20,000 provided that such monetary limit shall not apply to any liability on the part of ourselves referred to in paragraph (a) above
- Except as provided in paragraph (a) above but otherwise not withstanding any provision herein contained in no event shall we be liable for the following loss or damage howsoever caused and even if foreseeable by us or in our contemplation:-
 - economic loss which shall include loss of

profits, business revenue, goodwill or anticipated savings

- damages in respect of special indirect or consequential loss or damage (other than death, personal injury and damage to tangible property)
 - any claim made against the purchaser by any other party (save as expressly provided in paragraph (b) above)
- Except in respect of our liability referred to in paragraph (a) above no claim may be made or action brought (whether in contract or in tort including negligence) by the purchaser in respect of any goods supplied by us more than one year after the date of the invoice for the relevant goods.
 - Without prejudice to any other term we shall not be liable for any water damage caused directly or indirectly as a result of any leak or other defect in the goods. We cannot control the conditions of use of the goods or the time or manner or location in which they will be installed and the purchaser agrees to be fully responsible for testing and checking all works which include the goods at all relevant times (up to, including and after commissioning) and for taking all necessary steps to identify any leaks and prevent any damage being caused thereby.
 - Nothing in these Conditions shall confer on the purchaser any rights or remedies to which the purchaser would not otherwise be legally entitled

10. LOSS OR INJURY

Notwithstanding any other provision contained herein the purchaser’s hereby agree to fully indemnify us against any damages losses costs claims or expenses incurred by us in respect of any claim brought against us by any third party for:-

- any loss injury or damage wholly or partly caused by any goods supplied by us or their use.
- any loss injury or damage wholly or partly caused by the defective installation or substandard workmanship or materials used in the installation of any goods supplied by us.
- any loss injury or damage in any way connected with the performance of this contract.
- any loss resulting from any failure by the purchaser to comply with its obligations under these terms as to install and/or check works correctly.

PROVIDED that this paragraph will not require the purchaser to indemnify us against any liability for our own acts of negligence or those of our employees agents or sub-contractors

FURTHER in the case of goods supplied by us which are re-sold and installed by a third party by the purchaser it will be the sole responsibility of the purchaser to test the goods immediately after their installation to ensure that inter alia they are correctly installed and in proper working order free from leaks and are not likely to cause any loss injury or damage to any person or property.

11. VARIATION OF WARRANTY AND EXCLUSION

Should our warranty and exclusion be unacceptable we are prepared to negotiate for variation in their terms but only on the basis of an increase in the price to allow for any additional liability or risk which may result from the variation. Purchasers are advised to insure against any risk or liability which they may incur and which is not covered by our warranty.

12. ADVICE

Any advice or assistance given by the Company is provided without charge and is in good faith without undertaking, representation or warranty, and we will not accept any liability, whether consequential or compensatory, for advice or assistance given.

13. RISK AND RETENTION OF TITLE

- goods supplied by us shall be at the Purchaser’s risk immediately upon delivery to the Purchaser or into custody on the Purchaser’s behalf or to the Purchaser’s Order. The Purchaser shall effect adequate insurance of the goods against all risks to the full invoice value of the goods, such insurance to be effective from the time of delivery until property in the goods shall pass to the Purchaser as hereinafter provided.
- property in the goods supplied hereunder will pass to the Purchaser when full payment has been made by the Purchaser to us for :-
 - the goods of the subject of this contract.
 - all other goods the subject to of any other contract between the Purchaser and us which, at the time of payment of the full price of the goods sold under this contract, have been delivered to the Purchaser but not paid for in full.
- until property in the goods supplied hereunder passes to the Purchaser in accordance with paragraph (2) above.
 - the Purchaser shall hold the goods in a fiduciary capacity for us and shall store the same separately from any other goods in the Purchaser’s possession and in a manner which enables them to be identified as our goods.
 - the Purchaser shall immediately return the goods to us should our authorised representative so request. All the necessary incidents associated with a fiduciary relationship shall apply.
- the Purchaser’s right to possess the goods shall cease forthwith upon the happening of any of the following events, namely :-
 - if the Purchaser fails to make payment in full for the goods within the time stipulated in clause 4 hereof.
 - if the Purchaser, not being a company, commits any act of bankruptcy, makes a proposal to his or her creditors for a compromise or does anything which would entitle a petition for a Bankruptcy Order to be presented.
 - if the Purchaser, being a company, does anything or fails to do anything which would entitle an administrator or an administrative receiver or a receiver to take possession of any assets or which would entitle any person to present a petition for winding up or to apply for an administration order.
- the Purchaser hereby grants to us an irrevocable licence to enter at any time any vehicle or premises owned or occupied by the Purchaser or in the possession of the Purchaser for the purposes of repossessing and recovering any such goods the property in which has remained in us under paragraph (2) above. We shall not be responsible for and the Purchaser will indemnify us against liability in respect of damage caused to any vehicle or premises in such repossession and removal being damaged which it was not reasonably practicable to avoid.
- notwithstanding paragraph (3) hereof and subject to paragraph (7) hereof, the Purchaser shall be permitted to sell the goods to third parties in the normal course of business. In this respect the Purchaser shall act in the capacity of our commission agent and the proceeds of such sale :-
 - shall be held in trust for us in a manner which enables such proceeds to be identified as such, and;
 - shall not be mixed with other monies nor paid into an overdrawn bank account.We, as principal, shall remunerate the Purchaser as commission agent a commission depending upon the surplus which the Purchaser can obtain over and above the sum, stipulated in this contract of supply which will satisfy us.
- in the event that the Purchaser shall sell any of the goods pursuant to clause (6) hereof, the Purchaser shall

forthwith inform us in writing of such sale and of the identity and address of the third party to whom the goods have been sold.

- if, before property in the goods passes to the Purchaser under paragraph (2) above the goods are or become affixed to any land or building owned by the Purchaser it is hereby agreed and declared that such affixation shall not have the effect of passing property in the goods to the Purchaser. Furthermore if, before property in the goods shall pass to the Purchaser under paragraph (2) hereof, the goods are or become affixed to any land or building (whether or not owned by the Purchaser), the Purchaser shall:-
 - ensure that the goods are capable of being removed without material injury to such land or building.
 - take all necessary steps to prevent title to the goods from passing to the landlord of such land or building.
 - forthwith inform us in writing of such affixation and of the address of the land or building concerned.

The Purchaser warrants to repair and make good any damage caused by the affixation of the goods to or their removal from any land or building and to indemnify us against all loss damage or liability we may incur or sustain as a result of affixation or removal.

- in the event that, before property in the goods has passed to the Purchaser under paragraph (2) hereof, the goods or any of them are lost, stolen, damaged or destroyed :-
- the Purchaser shall forthwith inform us in writing of the fact and circumstances of such loss, theft, damage or destruction.
- the Purchaser shall assign to us the benefit of any insurance claim in respect of the goods so lost, stolen, damaged or destroyed.

14. NON-PAYMENT

If the Purchaser shall fail to make full payment for the goods supplied hereunder within the time stipulated in clause 4 hereof or be in default of payment for any other reason then, without prejudice to any of our other rights hereunder, we shall be entitled to stop all deliveries of goods and materials to the Purchaser, including deliveries or further deliveries of goods under this contract. In addition we shall be entitled to terminate all outstanding orders.

15. VALUE ADDED TAX

All prices quoted are exclusive of Value Added Tax which will be charged at the rate ruling at the date of despatch of invoice.

16. TRADE SALES ONLY

We are only prepared to deal with those who are not consumers within the terms of the Unfair Contract Terms Act 1977, the Sale of Goods Act 1979 and the Supply of Goods and Services Act 1982. Accordingly any person who purchases from us shall be deemed to have represented that he is not a consumer by so purchasing.

17. JURISDICTION

The agreement is subject to English law for products delivered in England and Scottish law for products delivered in Scotland and any dispute hereunder shall be settled in accordance therewith dependent upon the location.

18. PRODUCT DEVELOPMENT

Gledhill have a policy of continuous product development and may introduce product modifications from time to time.

MAINS PRESSURE HOT WATER STORAGE SYSTEM COMMISSIONING CHECKLIST

This Commissioning Checklist is to be completed in full by the competent person who commissioned the storage system as a means of demonstrating compliance with the appropriate Building Regulations and then handed to the customer to keep for future reference.

Failure to install and commission this equipment to the manufacturer's instructions may invalidate the warranty but does not affect statutory rights.

Customer name:		Telephone number:	
Address:			
Cylinder Make and Model			
Cylinder Serial Number			
Commissioned by (PRINT NAME):		Registered Operative ID Number	
Company name:		Telephone number:	
Company address:			
		Commissioning date:	
To be completed by the customer on receipt of a Building Regulations Compliance Certificate*:			
Building Regulations Notification Number (if applicable)			
ALL SYSTEMS PRIMARY SETTINGS (indirect heating only)			
Is the primary circuit a sealed or open vented system?		Sealed	Open
What is the maximum primary flow temperature?			°C
ALL SYSTEMS			
What is the incoming static cold water pressure at the inlet to the system?			bar
Has a strainer been cleaned of installation debris (if fitted)?		Yes	No
Is the installation in a hard water area (above 200ppm)?		Yes	No
If yes, has a water scale reducer been fitted?		Yes	No
What type of scale reducer has been fitted?			
What is the hot water thermostat set temperature?			°C
What is the maximum hot water flow rate at set thermostat temperature (measured at high flow outlet)?			l/min
Time and temperature controls have been fitted in compliance with Part L of the Building Regulations?		Yes	
Type of control system (if applicable)		Y Plan	S Plan
Is the cylinder solar (or other renewable) compatible?		Yes	No
What is the hot water temperature at the nearest outlet?			°C
All appropriate pipes have been insulated up to 1 metre or the point where they become concealed		Yes	
UNVENTED SYSTEMS ONLY			
Where is the pressure reducing valve situated (if fitted)?			
What is the pressure reducing valve setting?			bar
Has a combined temperature and pressure relief valve and expansion valve been fitted and discharge tested?		Yes	No
The tundish and discharge pipework have been connected and terminated to Part G of the Building Regulations		Yes	
Are all energy sources fitted with a cut out device?		Yes	No
Has the expansion vessel or internal air space been checked?		Yes	No
THERMAL STORES ONLY			
What store temperature is achievable?			°C
What is the maximum hot water temperature?			°C
ALL INSTALLATIONS			
The hot water system complies with the appropriate Building Regulations		Yes	
The system has been installed and commissioned in accordance with the manufacturer's instructions		Yes	
The system controls have been demonstrated to and understood by the customer		Yes	
The manufacturer's literature, including Benchmark Checklist and Service Record, has been explained and left with the customer		Yes	
Commissioning Engineer's Signature			
Customer's Signature			
(To confirm satisfactory demonstration and receipt of manufacturer's literature)			

*All installations in England and Wales must be notified to Local Authority Building Control (LABC) either directly or through a Competent Persons Scheme. A Building Regulations Compliance Certificate will then be issued to the customer.



© Heating and Hotwater Industry Council (HHIC)

www.centralheating.co.uk

While this Checklist can be used for any installation covered by its description, only appliances manufactured by Scheme Members will be covered by the rules and requirements of the Benchmark Scheme.

SERVICE RECORD

It is recommended that your hot water system is serviced regularly and that the appropriate Service Record is completed.

Service Provider

Before completing the appropriate Service Record below, please ensure you have carried out the service as described in the manufacturer's instructions.

SERVICE 01	Date:	SERVICE 02	Date:
Engineer name:		Engineer name:	
Company name:		Company name:	
Telephone No:		Telephone No:	
Comments:		Comments:	
Signature		Signature	
SERVICE 03	Date:	SERVICE 04	Date:
Engineer name:		Engineer name:	
Company name:		Company name:	
Telephone No:		Telephone No:	
Comments:		Comments:	
Signature		Signature	
SERVICE 05	Date:	SERVICE 06	Date:
Engineer name:		Engineer name:	
Company name:		Company name:	
Telephone No:		Telephone No:	
Comments:		Comments:	
Signature		Signature	
SERVICE 07	Date:	SERVICE 08	Date:
Engineer name:		Engineer name:	
Company name:		Company name:	
Telephone No:		Telephone No:	
Comments:		Comments:	
Signature		Signature	
SERVICE 09	Date:	SERVICE 10	Date:
Engineer name:		Engineer name:	
Company name:		Company name:	
Telephone No:		Telephone No:	
Comments:		Comments:	
Signature		Signature	

FOR TECHNICAL SUPPORT:
01253 474584

FOR ANNUAL SERVICE AND MAINTENANCE:
0800 3800 129

FOR SPARE PARTS:
01253 474412

OR
WWW.GLEDHILL-SPARES.NET



Gledhill Building Products Limited
Sycamore Estate,
Squires Gate,
Blackpool FY4 3RL

T: 01253 474550
enquiries@gledhill.net

WWW.GLEDHILL.NET



Due to a programme of continuous improvement Gledhill Building Products reserve the right to modify products without prior notice. It is advisable to check the product technical detail by using the latest design and installation manuals available from our technical support team or on our website. It is an offence to copy or adapt this document without consent of the owner.